

American Standard

AMARILIS

TWO-HANDLE BATH/SHOWER FITTING

MODEL NUMBER:

- ❑ **3622.000 Bath/Shower Fitting**
"Rain" showerhead. Brass diverter spout. Less handles.
- ❑ **3621.000 Shower Only Fitting**
"Rain" showerhead. Less handles.

Handles must be ordered separately.



3622.000 Shown. Handles must be ordered separately.

GENERAL DESCRIPTION:

Cast brass valve body on 8 inch centers. Amaris 1/4 turn washerless ceramic disc valve cartridges - reversible for use with either lever or round handles. Female NPT threaded inlets and outlets. Brass diverter tub spout. 4-1/2" "Rain" showerhead with 2.5 gpm/9.5L/min. flow restrictor. Cast brass showerarm.

PRODUCT FEATURES:

Brass Construction: Durable - Ideal for prolonged contact with water. Provides the finest surface for application of all finishes.

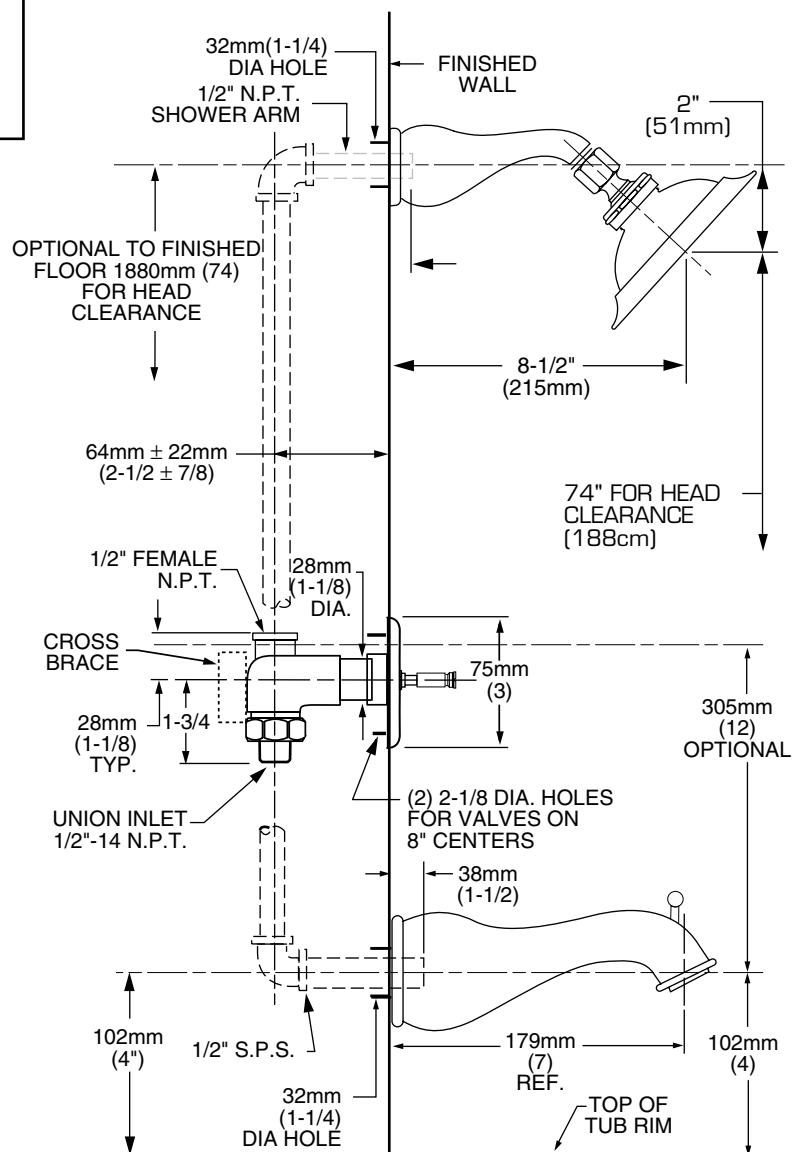
Ceramic Disc Valve Cartridges: Assures a lifetime of drip-free performance.

Increased Roughing-in: 42mm to 86mm (1-5/8 to 3-3/8).

Exclusive Fixation Plate Design: Provides water-tight seal around valves, even against pliable, uneven walls. Wall escutcheon snaps easily into place.

Wide Selection of Styles and Configurations: Full range of interchangeable handle styles.

Choice of Finishes: Wide range of durable finishes.



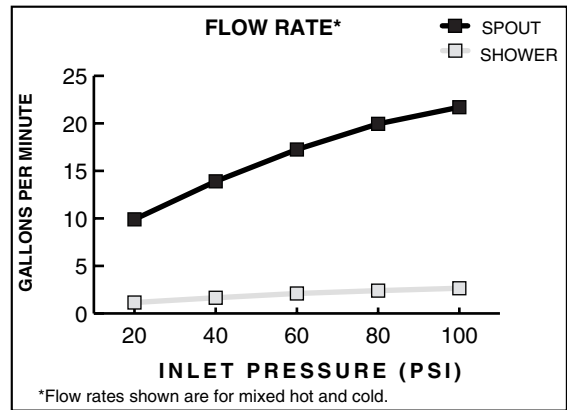
SUGGESTED SPECIFICATION:

Two handle bath/shower fitting shall feature cast brass construction. Shall also feature 1/4 turn washerless ceramic disc valve cartridges that are reversible for use with round or lever handles. Fitting shall be American Standard Model # _____ and handle kit # 0000._____.

CODES AND STANDARDS

These products meet or exceed the following codes and standards:

ASME A112.18.1M
CSA B 125



Product Number	Description	Finish Options					
		Polished Chrome	Polished Nickel	B Nickel /PVD Brass Mix	PVD Blackened Bronze	PVD Polished Brass	PVD Satin
		002	008	062	068	099	295
3622.000	Bath/Shower. Less handles.						
3621.000	Shower only. Less handles.						
6020.000	Valve only. Less handles.		N/A	N/A	N/A	N/A	N/A

N/A = NOT AVAILABLE

Handles must be ordered separately.

To order **Less Handles** - Specify: 4 digit style number followed by three zeros and 3 digit finish number.

Example: 3621.000.099 = Shower Only Fitting in Polished Brass finish.

The above fittings will accept the following Amarilis-Series handles.*

452	442	462	432	552	542	572	902 912	862

*See Section N for additional information on handle kits.



Meets the American Disabilities Act Guidelines and **ANSI A117.1** Requirements for the physically challenged.